



RF Components

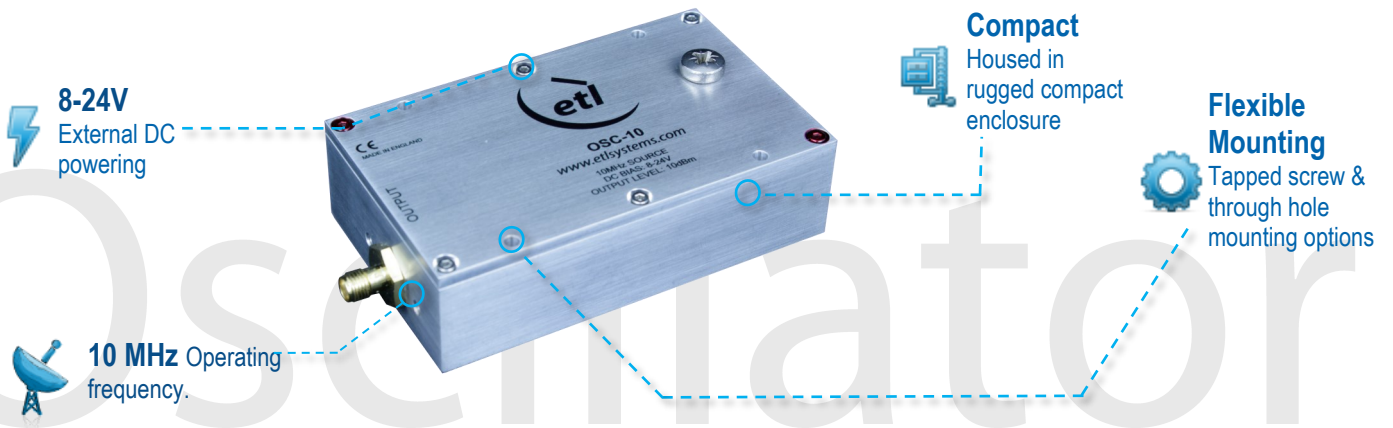
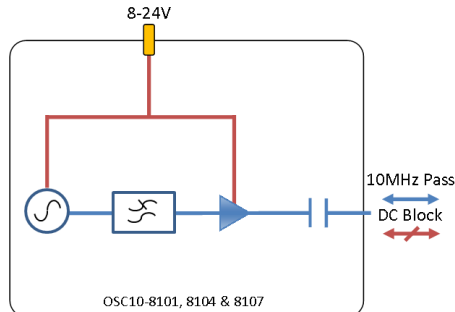
# 10 MHz Oscillator

Model Number:  
**OSC-10-8104**

- 10 MHz Ovenised Reference Frequency Oscillator
- Excellent Frequency Stability vs Temperature & Time
- Output Level 10 dBm

Available with RF connector options:

- 50 Ω SMA
- 50 Ω N-type
- 50 Ω BNC
- 75 Ω BNC
- 75 Ω F-type



RF Parameters						
OSC-10-8104	S5S5	N5N5	B5B5	B7B7	F7F7	
Frequency Range	10 MHz					
RF Connectors	50Ω SMA	50Ω N-Type	50Ω BNC	75Ω BNC	75Ω F-Type	
Output Level (dBm)	10 ± 2.5	10 ± 2.5	10 ± 2.5	10 ± 2.5	10 ± 2.5	
Return Loss (dB)	Typ.	18	18	15	15	15
	Min	10	10	10	8	8

## Broadcast



## Marine Oil & Gas



## SNG & VSAT



## Satellite Teleport





RF Components

Model Number:  
**OSC-10-8104**  
10 MHz Oscillator

### Technical specifications and operating parameters

Phase Noise Characteristics (dBc/Hz)	
1Hz	<-85
10Hz	<-115
100Hz	<-140
1000Hz	<-150
10000Hz	<-155

10MHz Source Characteristics		
Frequency Setting	10±0.000001 MHz	
Output Type	Sinewave	
Harmonic Rejection	2nd	>60 dB
	3rd	>50 dB
	4th	>60 dB
	5th	>60 dB

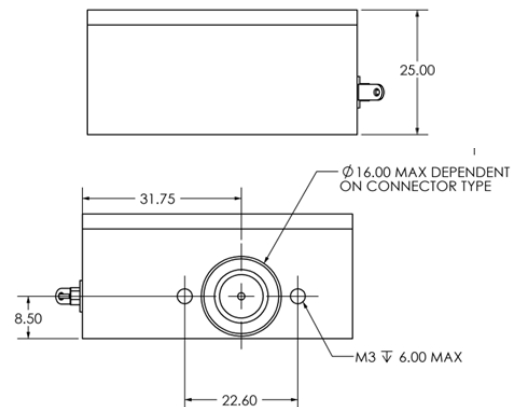
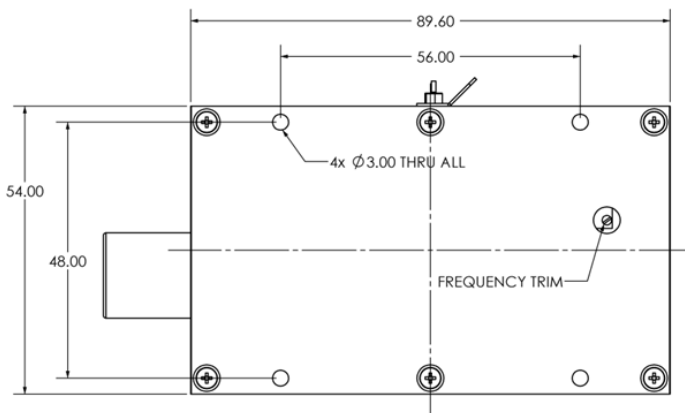
Environmental	
Operating Temperature	0°C to +55°C
Storage Temperature	-20°C to +75°C
Location	Indoor use Only
Humidity	Max 85% non-condensing
Altitude	Max 10,000 feet

Oscillator Characteristics	
Frequency Stability	
Over temperature*	< ± 3x10 <sup>-8</sup>
Short Term Stability (per second)	< ± 1x10 <sup>-11</sup>
Load change	< ± 5x10 <sup>-9</sup>
Power Supply Variations	< ± 5x10 <sup>-9</sup>
Stability with Aging	
Per Day	<± 2x10 <sup>-9</sup>
Per Year	<± 5x10 <sup>-7</sup>

Max Operating Parameters	
Input RF Power	+16 dBm (40mW)
DC Voltage	26V on Bias Port
DC Current	Max N/A
DC Consumption	1000mA on start-up, 400mA Steady State

**!** Operation beyond these limits may cause instantaneous and permanent damage.

### Physical Dimensions (mm)



Note: The specification is subject to regular reviews and will be updated from time to time as part of our continuing product development and improved specification accuracy.

ETL SYSTEMS LIMITED  
Coldwell Radio Station  
Madley  
Hereford  
England HR2 9NE

TELEPHONE  
+44 (0)1981 259020  
  
EMAIL  
info@etlsystems.com

FACSIMILE  
+44 (0)1981 259021  
  
WEB  
www.etlsystems.com

